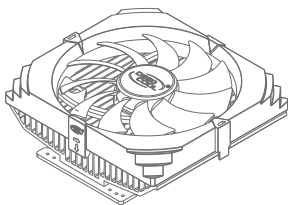




V95

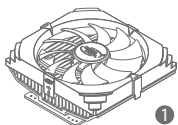
INSTALLATION GUIDE



PRODUCT SCHEMATIC DRAWING

- EN** For further information, please consult www.deepcoolglobal.com
- DE** Für weitere Informationen, besuchen Sie bitte unsere Webseite: www.deepcoolglobal.com
- IT** Per ulteriori informazioni, si prega di consultare: www.deepcoolglobal.com
- FR** Pour plus d'informations, s'il vous plaît consulter le site: www.deepcoolglobal.com
- ES** Para más información, por favor consulte nuestra página web: www.deepcoolglobal.com
- PT** Para mais informações, por favor consulte: www.deepcoolglobal.com
- PL** W celu uzyskania dalszych informacji, proszę kliknąć: www.deepcoolglobal.com
- CS** Pro další informace se prosím obraťte: www.deepcoolglobal.com
- RU** Для дополнительной информации, пожалуйста, посетите www.deepcoolglobal.com
- KK** Қосымша ақпарат үшін www.deepcoolglobal.com жүгініңіз
- TR** Daha fazla bilgi için, lütfen: www.deepcoolglobal.com
- JA** 製品に関する最新の情報を右記サイトで公開しております www.deepcoolglobal.com
- KO** 보다 자세한 내용은 아래의 홈페이지를 참조하세요 www.deepcoolglobal.com
- ZH** 如欲取得更多資料, 請瀏覽網站 www.deepcool.com.cn
- ZH** 如需要更多信息, 請瀏覽網站 www.deepcool.com.cn

COMPONENTS LIST



1



2



3



4

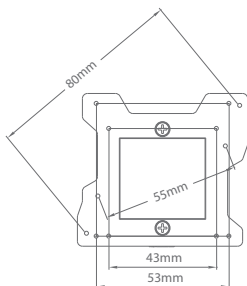
1 Cooler X1

2 Insulation Pad X4

3 Spring Nut X4

4 TIM X1

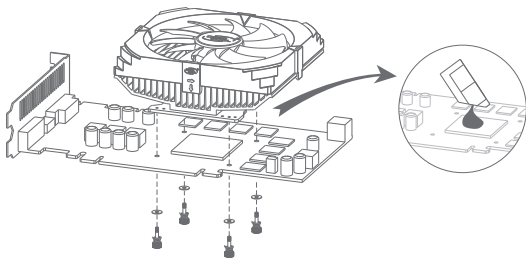
MOUNTING HOLES LOCATION



- **80mm Mounting holes**
NVIDIA GeForce 7400 Series
NVIDIA GeForce 7600 Series

- **43mm Mounting holes**
NVIDIA GeForce GT 240
NVIDIA GeForce 8500/8600/7300/7600 /6000(Except 6600 AGP Series)
AMD Radeon HD 6700 (6770/6750)
ATI Radeon HD 5700 (5770/5750) /5670
ATI Radeon HD 2400/2600 Series
ATI Radeon X1600/X1650 Series
- **53mm Mounting holes**
NVIDIA GeForce GTX 550 Ti
NVIDIA GeForce GTS 450/GTS 250
NVIDIA GeForce 9800 Series
NVIDIA GeForce 8800GTS/8800GT
NVIDIA GeForce 9600GT/9500GT/9400GT
NVIDIA GeForce 7950/7900/7800/7600/6800
ATI Radeon HD 5500 Series/ 4800 Series/4700 Series/4600 Series/3800 Series/ 3600 Series
ATI Radeon HD 3450
ATI Radeon X1900/1950/X1800
- **55mm Mounting holes**
NVIDIA GeForce FX 5700/5600 Series
NVIDIA GeForce FX 5200/5500 Series
NVIDIA GeForce 4 MX Series
ATI Radeon X1300 Series
ATI Radeon X Series
ATI Radeon 9000Series (Except 9550/9600)

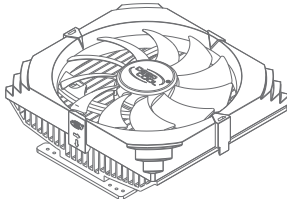
COOLER INSTALLATION





V95

INSTALLATION GUIDE



PRODUCT SCHEMATIC DRAWING

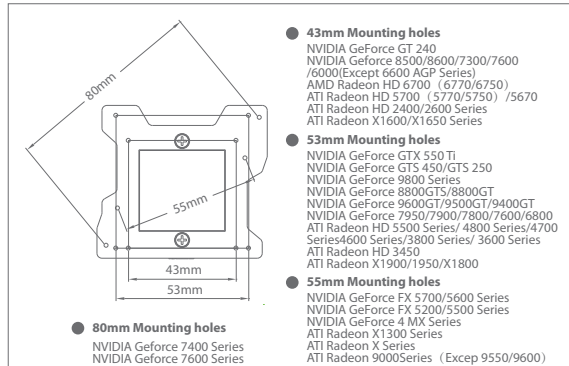
- EN** For further information, please consult www.deepcoolglobal.com
- DE** Für weitere Informationen, besuchen Sie bitte unsere Webseite: www.deepcoolglobal.com
- IT** Per ulteriori informazioni, si prega di consultare: www.deepcoolglobal.com
- FR** Pour plus d'informations, s'il vous plait consulter le site: www.deepcoolglobal.com
- ES** Para más información, por favor consulte nuestra página web: www.deepcoolglobal.com
- PT** Para mais informações, por favor consulte: www.deepcoolglobal.com
- PL** W celu uzyskania dalszych informacji, proszę kliknąć: www.deepcoolglobal.com
- CS** Pro další informace se prosím obraťte: www.deepcoolglobal.com
- RU** Для дополнительной информации, пожалуйста, посетите www.deepcoolglobal.com
- KK** Қосымша ақпарат үшін www.deepcoolglobal.com жүгініңіз
- TR** Daha fazla bilgi için, lütfen: www.deepcoolglobal.com
- JA** 製品に関する最新の情報を右記サイトで公開しております www.deepcoolglobal.com
- KO** 보다 자세한 내용은 아래의 홈페이지를 참조하세요 www.deepcoolglobal.com
- ZH** 如欲取得更多資料, 請瀏覽網站 www.deepcool.com.cn
- ZH** 如需要更多信息, 請瀏覽網站 www.deepcool.com.cn

COMPONENTS LIST



- 1 Cooler X1
- 2 Insulation Pad X4
- 3 Spring Nut X4
- 4 TIM X1

MOUNTING HOLES LOCATION



COOLER INSTALLATION

